

FIG.1: RETAINING WALL DETAIL @SOS CV KAVRE EDU (11'-6" HIGH)

Note 1: Provide Joint @5m interval and 1'-2" x 1'-2" Brick Masonry Column at every 7'-6" c/c
 Note 2: Brick Masonry @SOS CV KAVRE NTC shall be same in Fig.1, excluding Stone Masonry

FIG.2: RETAINING WALL DETAIL @SGH (8'6" HIGH)

Note: Provide Joint @5m interval and 0'-9" x 0'-9" Brick Masonry Column at every 7'-6" c/c

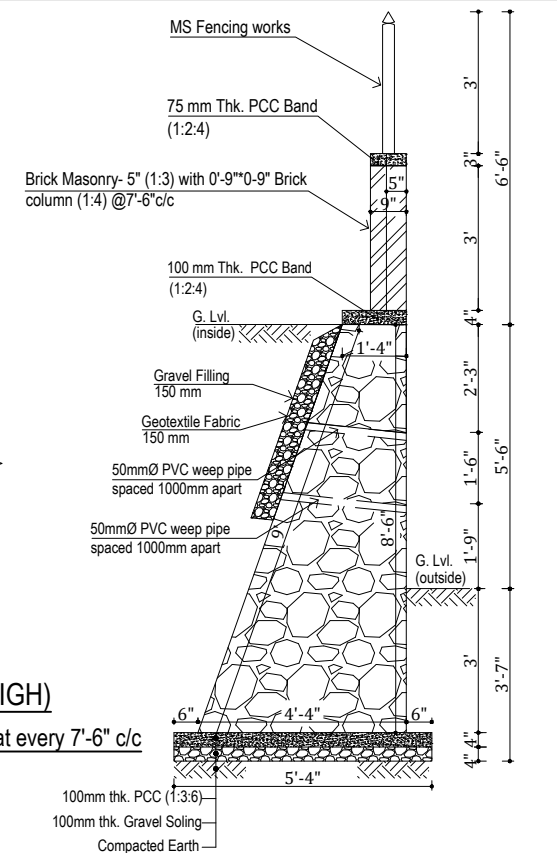


FIG. 5.1: FOOTING PLAN OF COLUMN
 (SCALE= 1/2":1'-0")

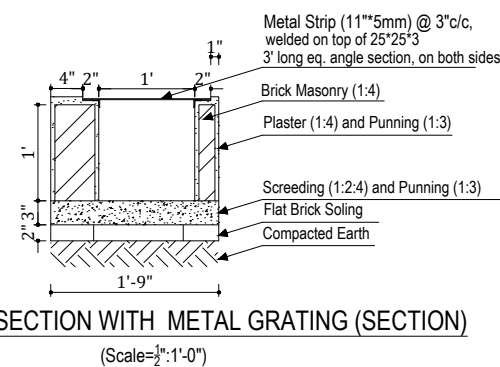
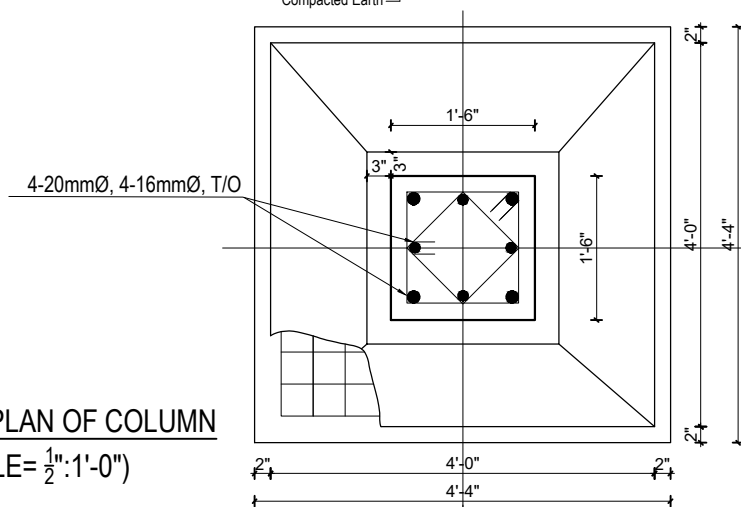


FIG.3: DRAIN SECTION WITH METAL GRATING (SECTION)
 (Scale=1/2":1'-0")



FIG.4: SAMPLE PICTURE OF MS GRILL WORKS PRESENT AND TO BE RE-USED AT SITE
 (Not to Scale)

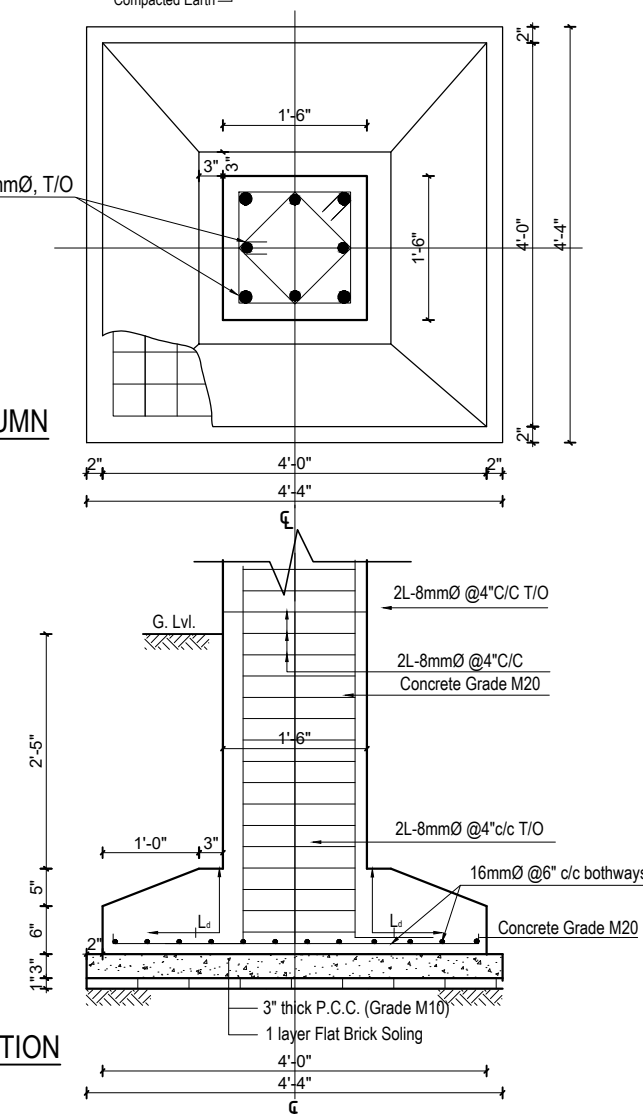


FIG. 5.2: FOOTING AND COLUMN SECTION
 (SCALE= 1/2":1'-0")



- NOTES:
- Any discrepancy in the drawing to be immediately reported to SOS CV NEPAL's Engineer.
 - Drawing are not to be directly measured.
 - Read this drawing along with other related drawings and coordinate with Structural, Electrical, Plumbing and other services drawings.
 - All the units are in feet, unless mentioned otherwise.



Official Stamp:

Scale:
 1/4":1'-0" unless otherwise mentioned

Project Title:
 Rainfall Protection Works at SOS CV KAVRE

Location:
 SOS CHILDREN'S VILLAGE KAVRE

Print Sheet:
 A3 size

Work Type:
 Renovation

Date:
 November, 2024

P-01